

Simplified Single Line Diagram (SLD) Template Net Energy Metering – Photovoltaic Systems only

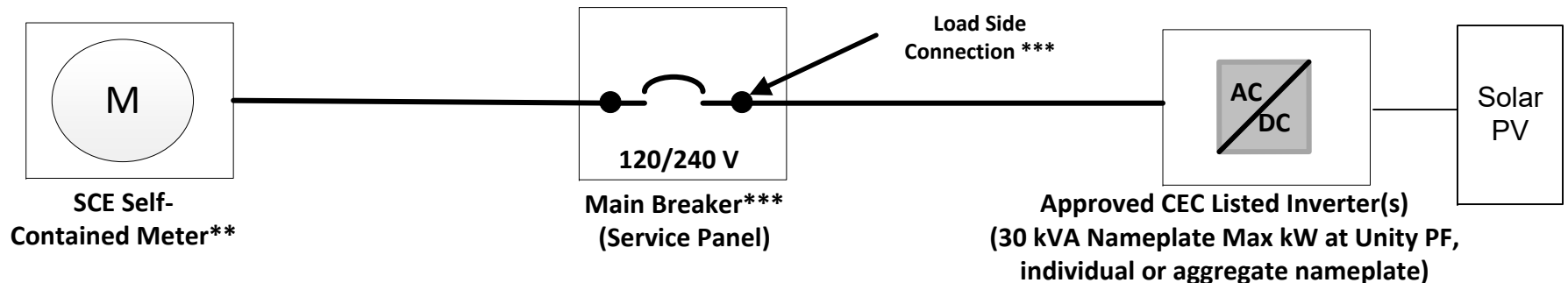
Systems with inverter nameplate rating less than or equal to 30 kVA (kW at Unity PF)

By submitting this document in connection with a Rule 21 Interconnection Request*, the Applicant certifies that the Simplified Single Line Diagram (SLD) represents an accurate configuration of the Generating Facility and that the information accurately represents the Interconnection Customer's (IC's) service equipment, all generation at the Generating Facility is comprised of Inverter Based using Photovoltaic Systems, and that the Generating Facility is connecting to the load side of the IC's main service breaker

By submitting this document in connection with a Rule 21 Interconnection Request, the Applicant certifies that the following requirements and parameters of the Generating Facility are true:

- A) The SCE metering is a self-contained meter
- B) The point of connection is on the load side of the main breaker (Note: Line side tap connections cannot use this template)
- C) The aggregate inverter nameplate is equal to or less than 30 kVA (kW at Unity PF)
- D) The inverter(s) selected must be from the CEC list of approved inverters

Simplified Single Line Diagram (SLD)****



* Capitalized terms shall have the meaning set forth in Rule 21

** The IC shall not install any equipment in SCE's metering section(s) and must comply with SCE's Electric Service Requirements (ESR)

*** Other equipment (such as breakers, fuses, wiring, disconnects, etc.) as may be required to connect the solar PV generator to the load side of the IC's main breaker shall meet local requirements and must be approved by the Authority Having Jurisdiction (AHJ)

**** The simplified SLD represents only the equipment and arrangement required by SCE for interconnection for this specific application. Local jurisdictions may have additional requirements

SCE reserves the right to require a project specific SLD as may be required for SCE to evaluate specific project information

Disclaimer: This SLD Template (Template) is intended for use exclusively to request interconnection to Southern California Edison's (SCE) Distribution System pursuant to Rule 21. The Template may not be submitted to any third party or Governmental Authority for the purpose of obtaining approval of the Interconnection Customer's Generating Facility. SCE is not responsible for the design of the Interconnection Customer's Generating Facility and in no way certifies that the Template accurately represents the Generating Facility or that the Generating Facility meets the requirements of any Governmental Authority having jurisdiction.